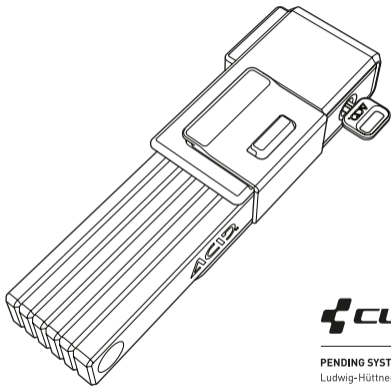


# ACID.

## RIGID 90

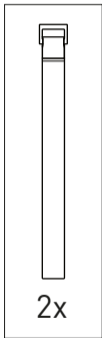
V 1.0-20



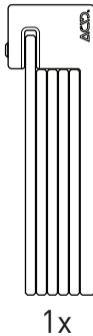
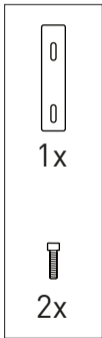
PENDING SYSTEM GMBH & CO. KG  
Ludwig-Hüttner-Str. 5-7 | D-95679 Waldershof

# INFO

MOUNTING A

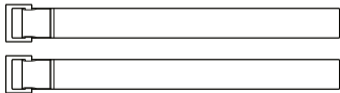
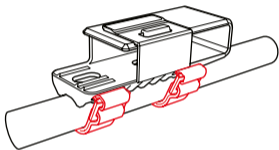


MOUNTING B

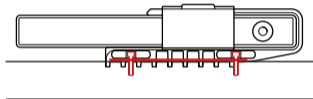


# INFO

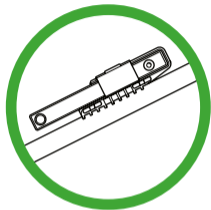
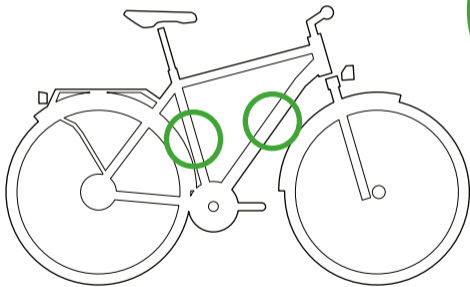
## MOUNTING A



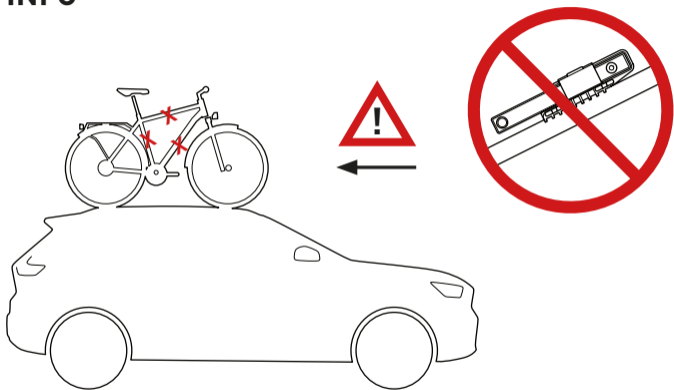
## MOUNTING B



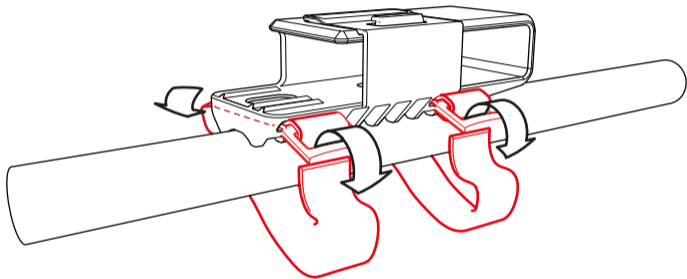
# INFO



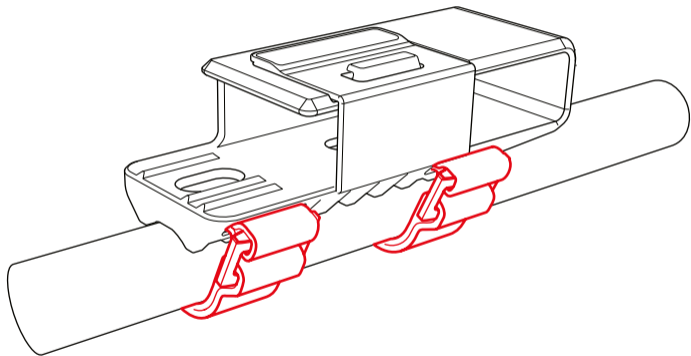
# INFO



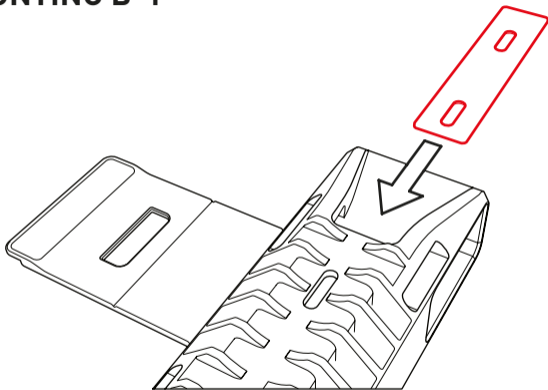
## MOUNTING A-1



## MOUNTING A-2



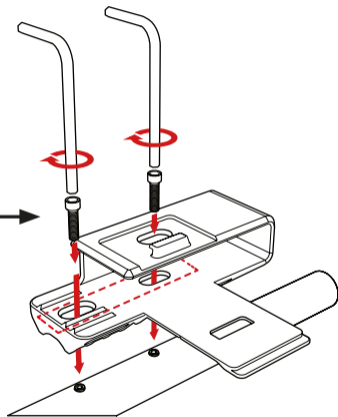
## MOUNTING B-1





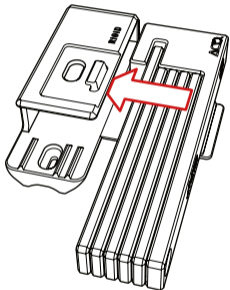
## MOUNTING B-2

**max. 5 Nm**

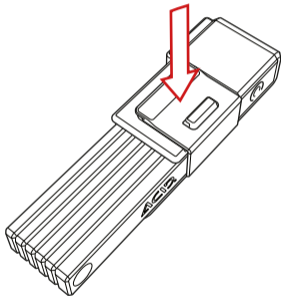


# USE

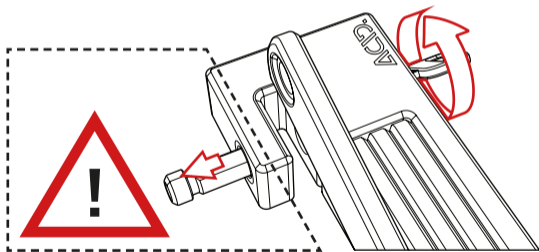
## FIX 1



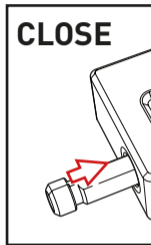
## FIX 2



**OPEN**



**CLOSE**





---

**PENDING SYSTEM GMBH & CO. KG**

Ludwig-Hüttner-Str. 5-7 | D-95679 Waldershof

[www.cube.eu/service/manuals/](http://www.cube.eu/service/manuals/)

